



Your Partner for:

- Material handling
- Transporting
- Custom built handling equipment

makes Material Handling easier ...

Manual Hydraulic Stackers



M-38
1000 kg

Salient Features:

- Robust and versatile equipment for lifting and transporting
- Solid welded steel construction
- One track roller with lock
- Piston rod-stem chrome plated



M-60
1000 kg



MT-46
1000 kg

BAKA LIFTEC (INDIA) PRIVATE LIMITED

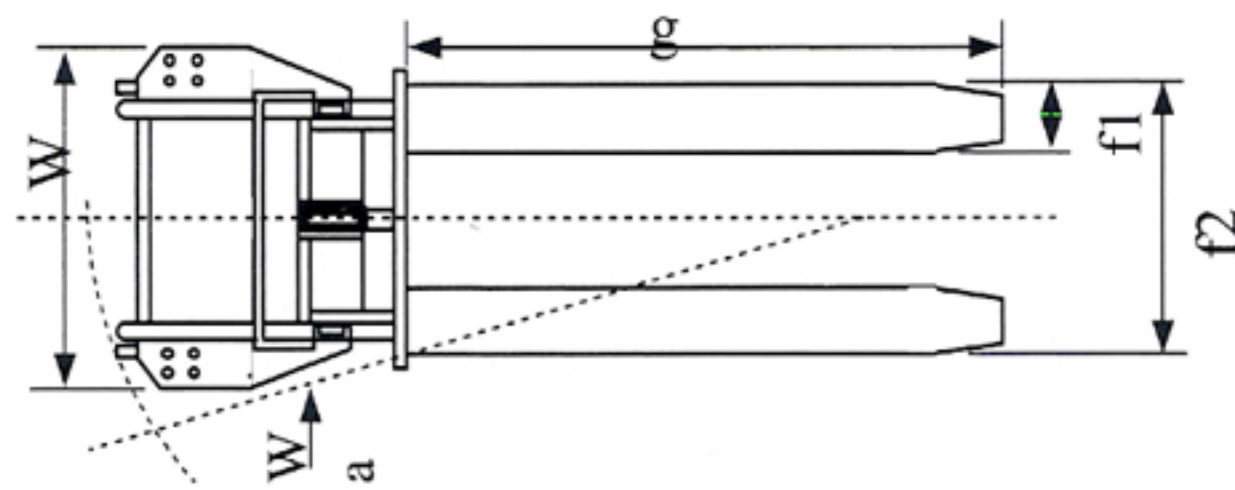
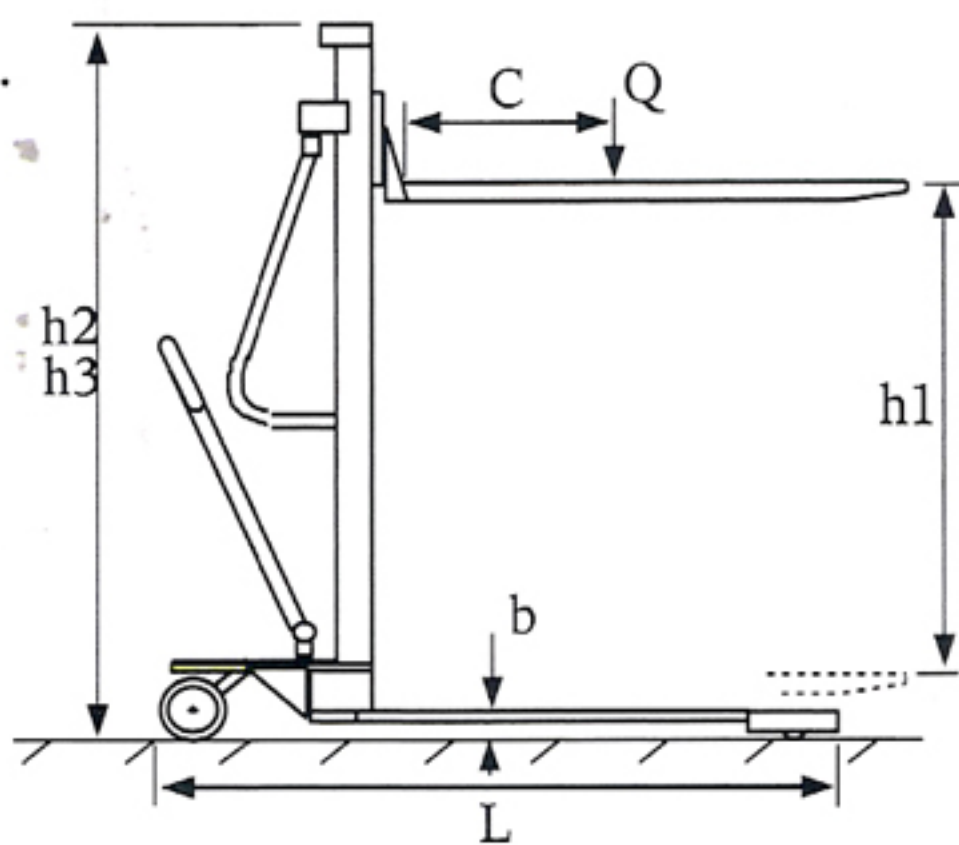
A Joint-Venture with D.BADER SÖHNE GmbH & CO KG, Germany

Standard Specifications

Model		M-38 1020	M-60 1020	MT-46 1020
Q	Load carrying capacity *	kg	1000	1000
C	Load center	mm	600	600
h1	Lifting	mm	90 - 800	90 - 1600
b	Height of base / load arm	mm	80	80
h2	Closed mast height	mm	1265	1950
h3	Extended mast height	mm	1265	2700
	Mast		Simple	Double
L	Total length	mm	1670	1670
W	Total width	mm	620	780
Wa	Turning radius	mm	1090	1150
g	Fork length	mm	1120	1120
f1	Fork width	mm	160	160
f2	Width over forks	mm	570	570
	Lift per stroke	mm	22	22

Special Sizes and Specifications on request.

* 1000 kg load carrying capacity at 600 mm load center, 800 kg at 2300 mm



M60 with derrick crane

Optional Features and Attachments

- Special fork length and width
- Adjustable forks
- Roller platform
- Polyurethane wheels
- Sheetmetal platform
- Chequered sheet
- Load wheels tandem
- Barrel clamp
- Barrel rotating
- Derrick crane

Technical Specifications subject to change based on improvement in design without affecting the overall functioning of the equipment.

BAKA LIFTEC (INDIA) PRIVATE LIMITED

Plot No. 8-B, Bommasandra Industrial Area, Anekal Taluk, Bangalore – 560099

Telefax: 080-27831906 Tel: 080-27832661, 27832839, 27835096

Email: bakalift@vsnl.net, bakalift@dataone.in

Website: www.bakaliftindia.com. or www.baka.de