



Your Partner for:

- Material handling
- Transporting
- Custom built handling equipment

*makes Material Handling easier ...*

## **Battery Operated Pallet Truck**

### **Salient Features:**

- Powerful drive-motor
- Lift electro-hydraulic
- Ergonomically designed steering with controls
- Battery discharge indicator
- Polyurethane drive wheel
- Extra durable metal fork wheels for 5000 kg capacity equipment

### **Model: EGU**

Cap: 2000 to 5000 kgs



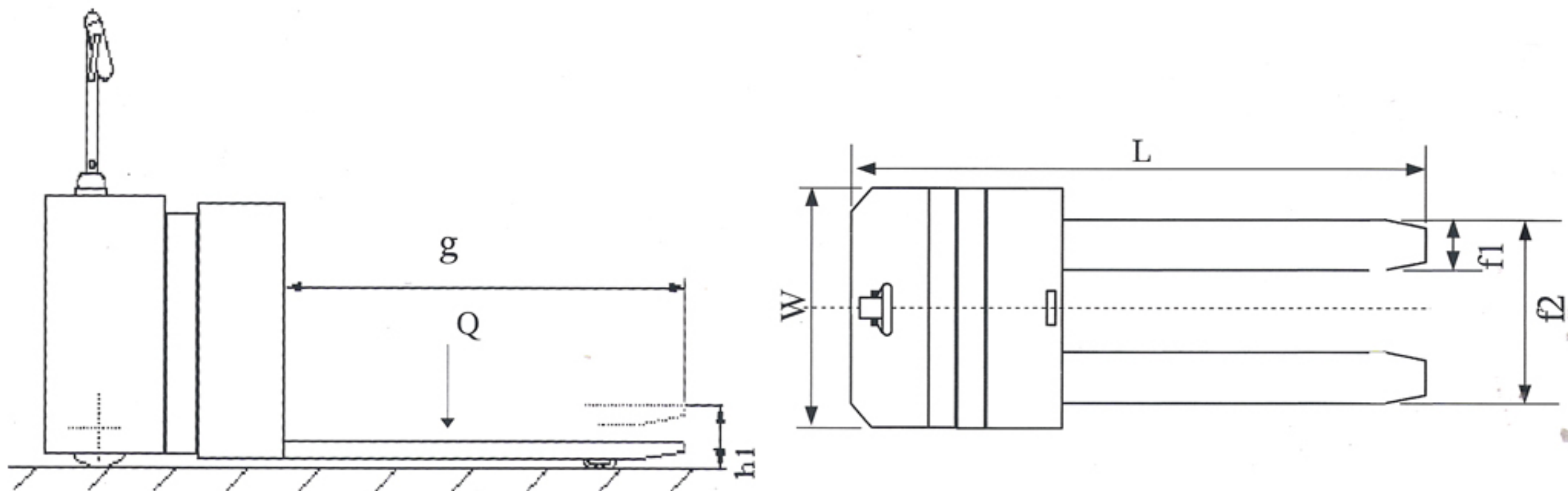
**BAKA LIFTEC (INDIA) PRIVATE LIMITED**

*A Joint-Venture with D.BADER SÖHNE GmbH & CO KG, Germany*



## Standard Specifications

Model		EGU 2000	EGU 3200	EGU 5000	
Q	Load carrying capacity	kg	2000	3200	5000
h1	Lifting	mm	90 - 200	90 - 200	105 - 205
L	Total length	mm	1930	1930	1930
W	Total width	mm	850	850	850
Wa	Turning radius	mm	1670	1670	1670
g	Fork length	mm	1150	1150	1150
f1	Width over forks	mm	560	560	685
f2	Distance between Forks	mm	240	240	265
f3	Fork width	mm	160	160	210
	Drive motor	kW	0.9	2.0	2.0
	Travel speed	km/h	0-5	0-5	0-5
	Lifting motor	kW	2.0	2.0	2.0



Barrtery	Battery Charger	Charging time	used for...
24 Volt, 199 Ah	24 Volt, 30 A	Approx. 8 hrs	less load capacity
24 Volt, 270 Ah	24 Volt, 35 A	Approx. 8 hrs	higher load capacity

## Optional Features and Attachments

- Battery trolley
- Stand on platform
- Special Sizes and Specifications on request.

Technical specifications subjects to change based on improvement of design without affecting the overall functioning of the equipment.

### ***BAKA LIFTEC (INDIA) PRIVATE LIMITED***

Plot No. 8-B, Bommasandra Industrial Area, Anekal Taluk, Bangalore – 560099

Telefax: 080-27831906 Tel: 080-27832661, 27832839, 27835096

Email: [bakalift@vsnl.net](mailto:bakalift@vsnl.net), [bakalift@dataone.in](mailto:bakalift@dataone.in)

Website: [www.baka-india.com](http://www.baka-india.com) or [www.baka.de](http://www.baka.de)