



Your Partner for:

- Material handling
- Transporting
- Custom built handling equipment

makes Material Handling easier ...

Hydraulic Hand Pallet Trucks



2SH 2500 / 3000



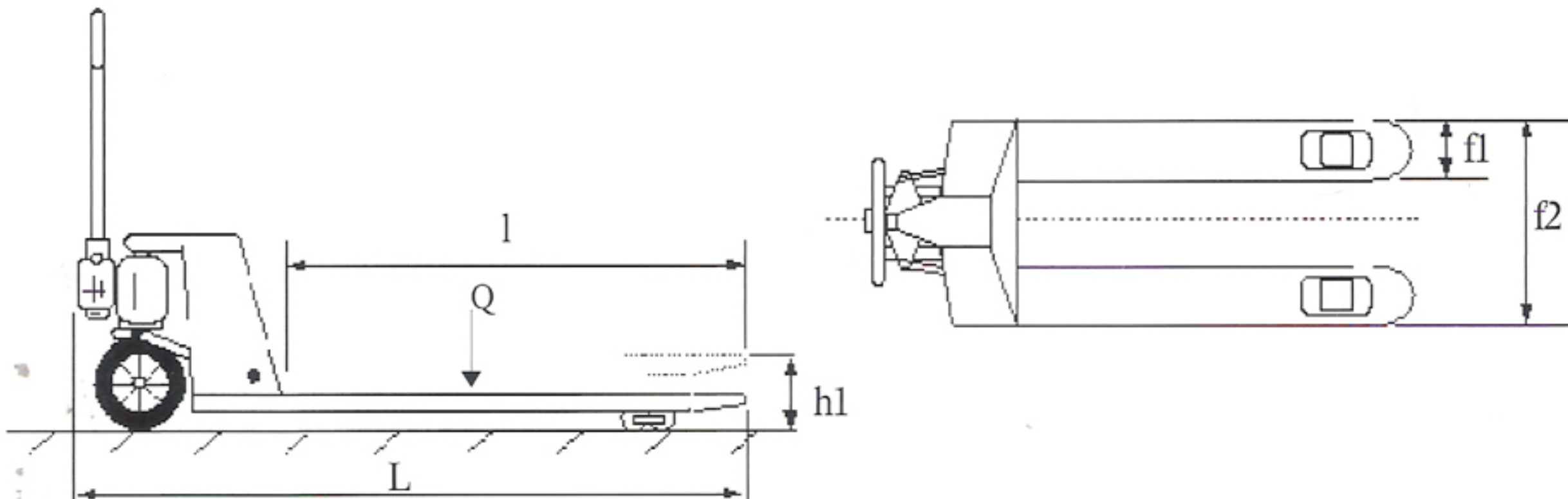
GH 5031

BAKA LIFTEC (INDIA) PRIVATE LIMITED

A Joint-Venture with D.BADER SÖHNE GmbH & CO KG, Germany

Standard Specifications						
Model			2SH 2500	2SH 2500 Spl	2SH 3000	GH 5031
Q	Load carrying capacity	kg	2500	2500	3000	5000
h1	Lifting	mm	90 - 200	90 - 200	90 - 200	105 - 215
L	Total length	mm	1500	1500	1500	1530
l	Fork length	mm	1150	1150	1150	1150
f1	Fork width	mm	152	152	152	210
f2	Width over forks	mm	540	685	540	580
	Lift per stroke	mm	11	11	11	11

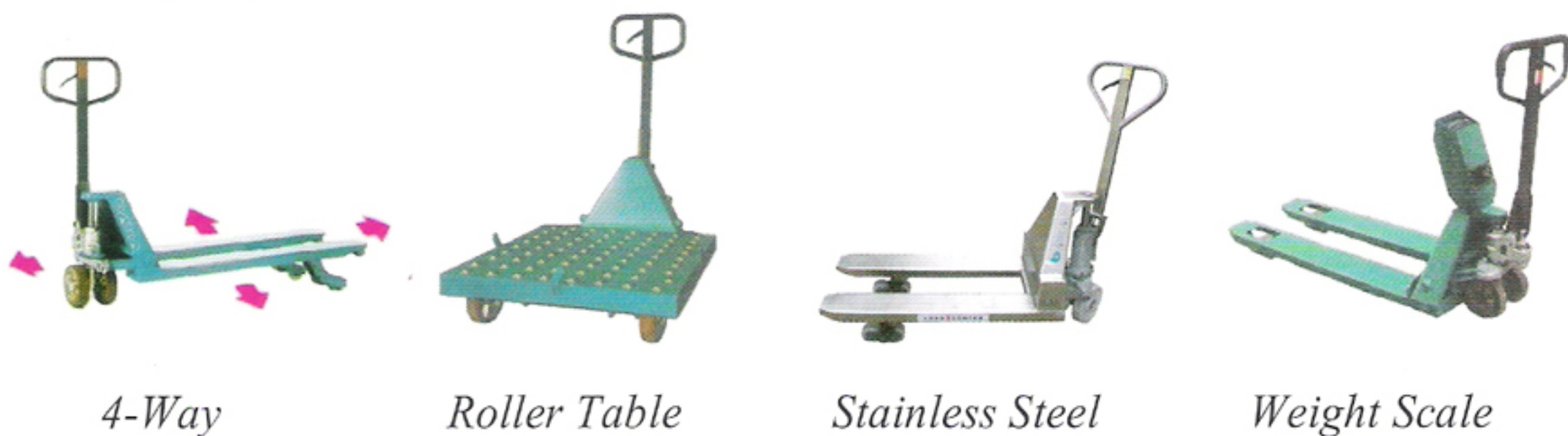
All standard models upto 3000 kg are equipped with Nylon wheels. Our 5000 kg load carrying capacity equipment are fitted with durable metal wheels.



Optional Features and Attachments

- ❖ Parking Brake
- ❖ Stainless steel
- ❖ Galvanized coating
- ❖ Electronic Weighing Scale
- ❖ Special fork length and width
- ❖ Specially shaped forks
- ❖ Nylon wheels
- ❖ 4-way

Technical Specifications subject to change based on improvement in design without affecting the overall functioning of the equipment.



4-Way

Roller Table

Stainless Steel

Weight Scale

Special Sizes and Specifications on request.

BAKA LIFTEC (INDIA) PRIVATE LIMITED

Plot No. 8-B, Bommasandra Industrial Area, Bangalore – 560 099
 Tel: 080 - 27832661, 27835096, 27832839 Telefax: 080 - 27831906
 Email: bakalift@vsnl.net & bakalift@dataone.in
 Website: www.bakaliftindia.com or www.baka.de